



Up to 90 % CO₂ emissions reduction

HVO ready

MK 88-4.1

- + Electric crane operation
- + 15°, 30° and 45° luffed positions
- + One-person assembly in 11 minutes (once raised on its supports)
- + Elevating operator's cabin for perfect visibility of the load

Mobile construction crane

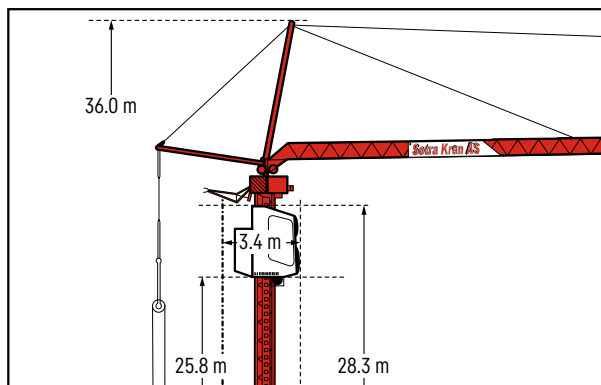
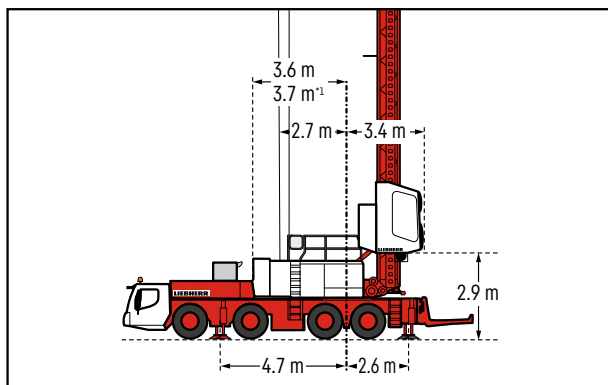
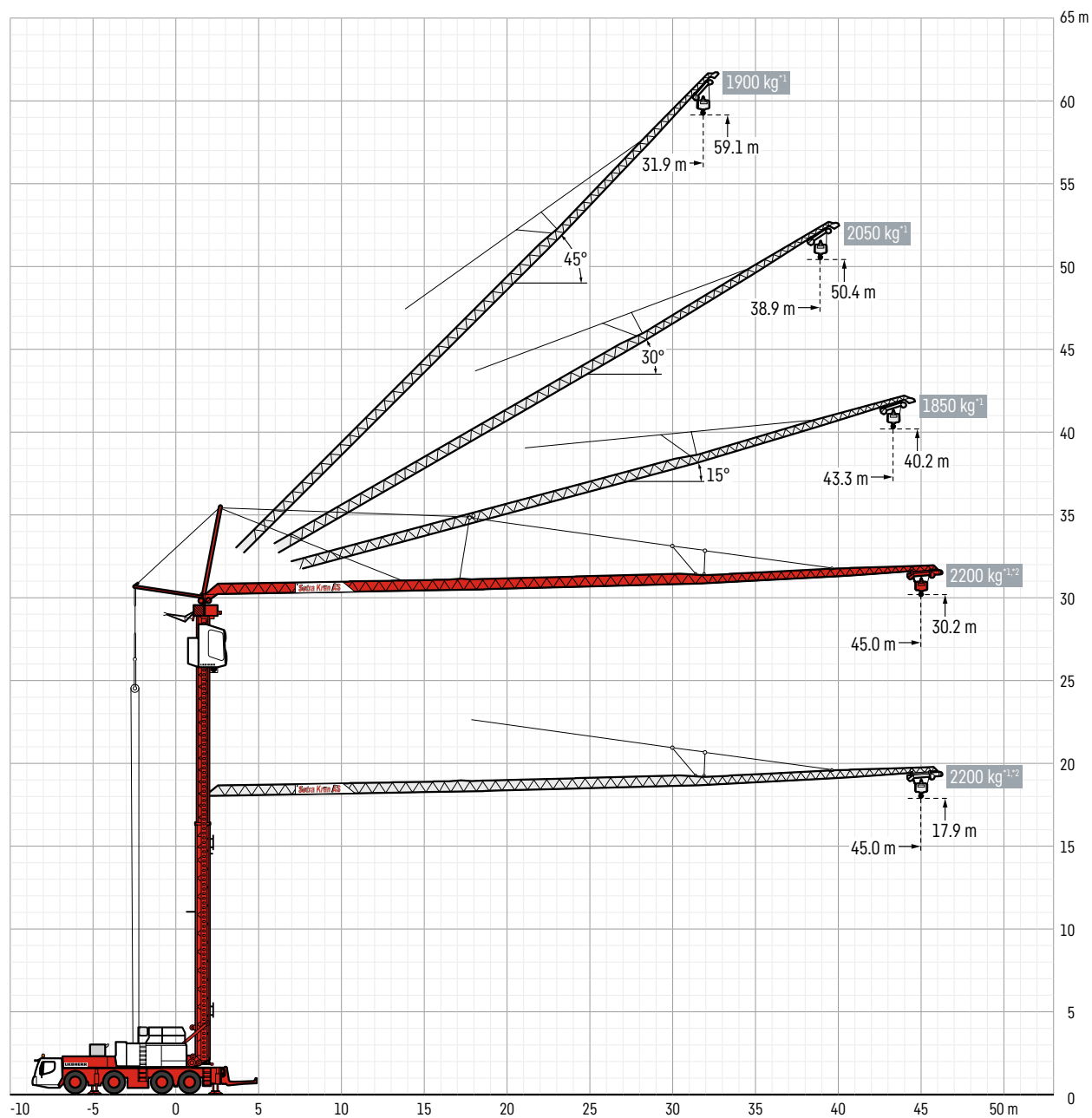


Hook height	max. 59.1 m
Radius	max. 45.0 m
Max. lifting capacity	8.0 t
Max. lifting capacity at the jib head	2.2 t



Sotra Kran AS

Crane operation



All dimensions in m

¹ With 2.0 t additional ballast

² Plus load curves with control limitations in comparison to standard load curve. See the operating manual for more details.

With additional ballast



7.30 m x 7.00 m

α°	m	m	kg	m																						
				10.0	12.0	14.0	16.0	18.0	20.0	22.0	24.0	26.0	28.0	30.0	32.0	34.0	36.0	38.0	40.0	42.0	44.0	45.0				
0°	45.0	3.3 - 12.0	8000	8000	8000	6910	6080	5410	4870	4420	4050	3730	3450	3200	2990	2800	2630	2480	2340	2220	2100	2050				
		3.3 - 11.0	8000	8000	7370	6360	5580	4960	4460	4050	3700	3400	3140	2920	2720	2540	2390	2250	2120	2000	1900	1850				
	Plus ²	3.3 - 13.0	8000	8000	8000	7510	6670	5990	5420	4931	4520	4160	3840	3560	3320	3100	2900	2720	2550	2400	2260	2200				
15°	43.3	3.2 - 43.4	1850	1850																						
		3.2 - 38.2	1850	1850													1600									
	Plus	3.2 - 32.0	2600	2600												2430	2290	2150	2030	1920	1850					
		3.2 - 27.8	2600	2600										2580	2400	2240	2100	1970	1860	1760	1660	1600				
30°	38.9	3.0 - 12.0	6000	6000	5050	4560	4150	3810	3510	3250	3030	2830	2650	2490	2350	2220	2050									
		3.0 - 9.0	6000	5620	4970	4450	4020	3660	3360	3100	2870	2670	2490	2340	2200	2070	1950	1800								
45°	31.9	2.7 - 31.9	1850	1850																						
		2.7 - 28.3	1850	1850													1600									
	Plus	2.7 - 23.0	2800	2800										2670	2430	2230	2050	1900								
		2.7 - 19.5	2800	2800							2730	2460	2230	2040	1870	1730	1600									

kg



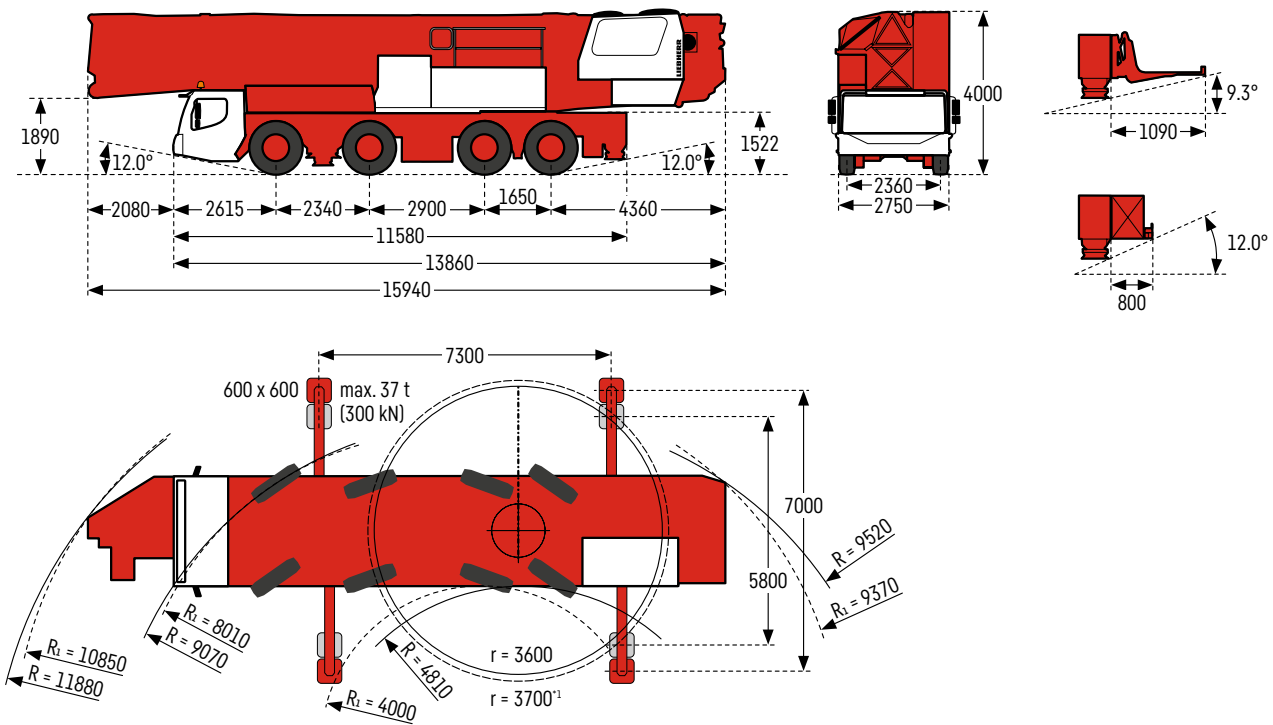
7.30 m x 5.75 m

α°	m	m	kg	m																						
				10.0	12.0	14.0	16.0	18.0	20.0	22.0	24.0	26.0	28.0	30.0	32.0	34.0	36.0	38.0	40.0	42.0	44.0	45.0				
0°	45.0	3.3 - 10.5	8000	8000	6930	5870	5080	4470	3980	3580	3250	2970	2730	2520	2340	2180	2030	1910	1790	1690	1590	1550				
		3.3 - 9.3	8000	7410	6100	5170	4480	3940	3500	3150	2860	2610	2400	2210	2050	1910	1780	1670	1570	1470	1390	1350				
	Plus ²	3.3 - 11.5	8000	8000	7620	6410	5510	4830	4280	3840	3480	3170	2910	2690	2490	2320	2170	2030	1910	1800	1700	1650				
15°	43.3	3.2 - 36.0	1850	1850															1740	1650	1560	1500				
		3.2 - 34.0	1850	1850													1400									
	Plus	3.2 - 26.0	2600	2600										2410	2250	2100	1970	1850	1740	1650	1560	1500				
		3.2 - 24.7	2600	2600												2470	2280	2120	1980	1850	1740	1630	1540	1460	1400	
30°	38.9	3.0 - 11.0	6000	6000	5580	4880	4320	3880	3510	3200	2930	2700	2500	2330	2180	2040	1910	1750								
		3.0 - 9.0	6000	5480	4650	4030	3540	3150	2830	2570	2340	2150	1980	1830	1700	1590	1490	1350								
45°	31.9	2.7 - 31.9	1850	1850																						
		2.7 - 24.0	1850	1850													1600									
	Plus	2.7 - 28.3	2800	2800										2670	2430	2230	2050	1900								
		2.7 - 19.5	2800	2800							2730	2460	2230	2040	1870	1730	1600									

kg

All the load capacities are given for max. erection height, higher load capacities are achieved for lower erection heights. Furthermore, the data apply to wind forces up to max. 14.1 m/s (6.5 Bft). Lower load capacities are achieved for stronger winds. For detailed information please refer to the instruction manual.

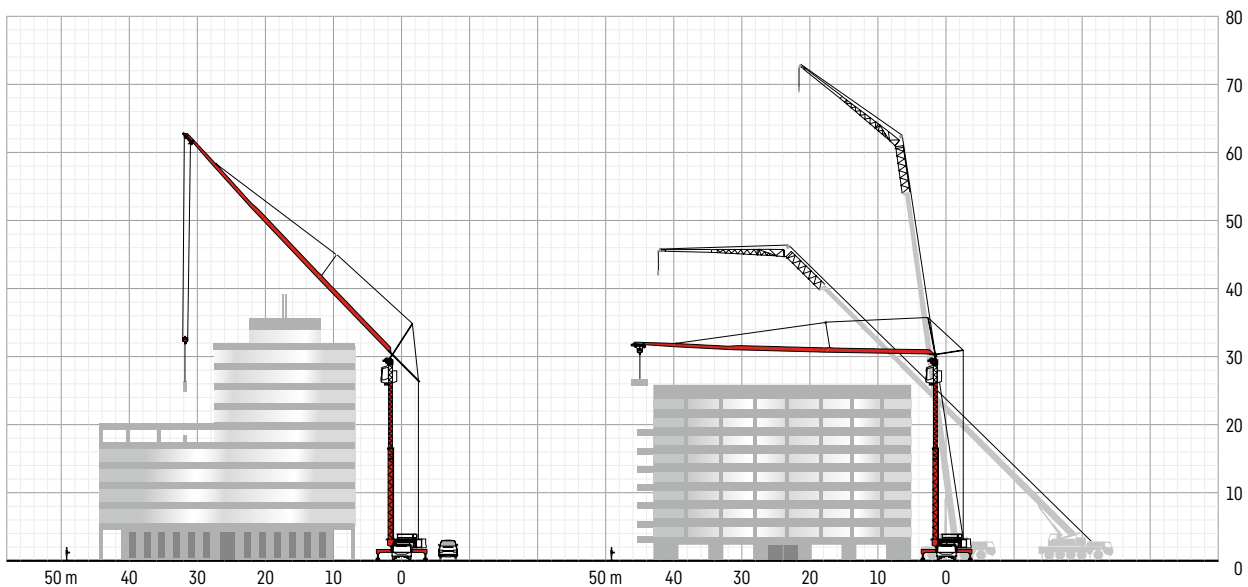
Dimensions



R_i = All-wheel steering -¹ With 2.0 t additional ballast

All dimensions in mm

Comparison with mobile cranes



This information is supplied without liability. Subject to technical modifications.
Printed in Germany • C7 • LBC



Sotra Kran AS

Sotra Kran AS
Bleivassvegen 36
5346 Ågotnes, Norway
Phone +47 56 33 20 08
bestilling@sotrakran.no
www.sotrakran.no